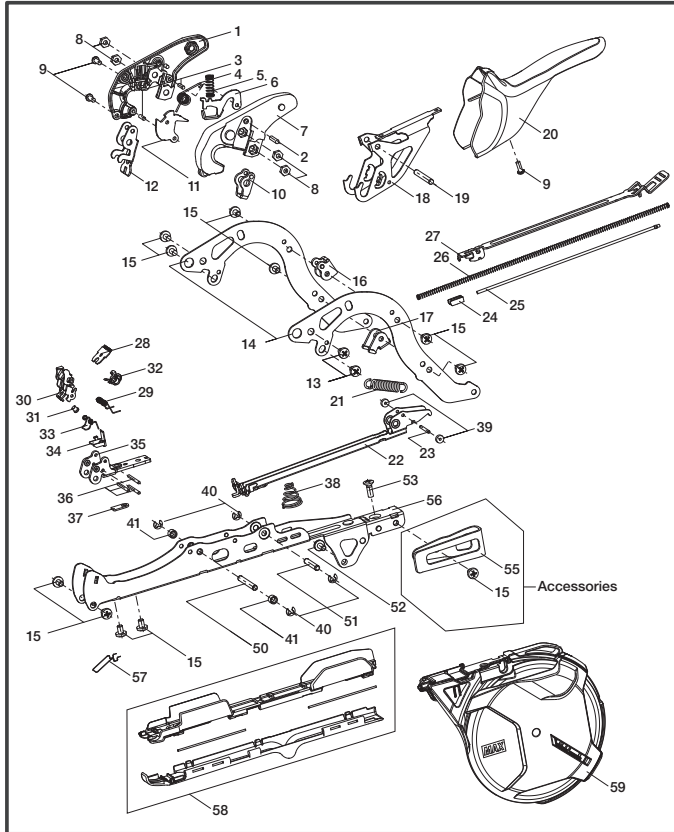


HT-S45E



| Index No. | Parts Code No. | Description |
|-----------|----------------|-------------------------|
| 1 | HT11672 | B CASE S (HT-R) |
| 2 | FF31714 | STRAIGHT PIN 1714 |
| 3 | FF31712 | STRAIGHT PIN 1712 |
| 4 | KK33402 | TORSION SPRING 3402 |
| 5 | KK29130 | COMPRESSION SPRING 9130 |

| Index No. | Parts Code No. | Description |
|-----------|----------------|---------------------------------------|
| 6 | HT11670 | LOCK PLATE S (HT-R) |
| 7 | HT11627 | A CASE (HT-R) |
| 8 | CC43501 | NUT M4(3) |
| 9 | AA05719 | +PH TAP SCREW 3x8 (P) |
| 10 | HT11699 | CLINCHER (HT-S) |
| 11 | HT11622 | TAPE CATCH (HT-R) |
| 12 | HT11671 | TAPE PLATE S (HT-R) |
| 13 | AA25537 | SCREW BIND M4x6 |
| 14 | HT11618 | CLINCHER ARM(HT-R) |
| 15 | AA05716 | SCREW BIND 4x6(S-TIGHT) (Accessories) |
| 16 | HT11619 | ARM SUPPORT(HT-R) |
| 17 | HT11697 | ARM SUPPORT S(HT-R) |
| 18 | HT11637 | B HANDLE(HT-R) |
| 19 | FF31713 | STRAIGHT PIN 1713 |
| 20 | HT11704 | GRIP(HT-S) |
| 21 | KK13405 | EXTENSION SPRING 3405 |
| 22 | HT70083 | MAGAZINE UNIT (HT-S) |
| 23 | FF31716 | STRAIGHT PIN 1716 |
| 24 | HT11702 | PUSHER(HT-S) |
| 25 | HT11610 | SPRING GUIDE ROD(HT-R) |
| 26 | KK29131 | COMPRESSION SPRING 9131 |
| 27 | HT11701 | STAPLE COVER(HT-S) |
| 28 | PRODUCT | BLADE |
| 29 | KK34099 | TORSION SPRING 4099 |
| 30 | HT70091 | TAPE GUIDE UNIT (HT-S) |
| 31 | FF41740 | STEP PIN 1740 |
| 32 | HT11596 | TAPE GUIDE SUPPORT(HT-R) |
| 33 | KK34101 | TORSION SPRING 4101 |
| 34 | HT11700 | DRIVER (HT-S) |
| 35 | HT11707 | TAPE GUIDE BASE (HT-S) |
| 36 | FF31711 | STRAIGHT PIN 1711 |
| 37 | HT11710 | BACKUP WASHER(HT-S) |
| 38 | KK83018 | CONICAL SPRING 3018 |
| 39 | HT11669 | RUBBER WASHER NBR90(HT-R) |
| 40 | JJ10404 | E-RING 3.2 |
| 41 | HT11615 | ROLLER(HT-R) |
| 50 | FF31643 | STRAIGHT PIN 1643 |
| 51 | FF31644 | STRAIGHT PIN 1644 |
| 52 | AA05722 | SCREW BIND 4x8(P) |
| 53 | AA23502 | SCREW FLAT ROUND HEAD M4x12 |
| 55 | HT11714 | HOOK (HT-S) (Accessories) |
| 56 | HT70085 | A HANDLE UNIT(HT-S) |
| 57 | HT11603 | TAPE SPRING (HT-R) |
| 58 | HT70097 | TAPE HOLDER ASSY(HT-S) |
| 59 | HT70095 | BOBBIN CASE ASSY (HT-S) |